

eazense

easenze ONE

Description

Radar sensor easenze is a cost-effective, non-intrusive sensor providing 24-hour monitoring of activity. With no required light conditions, the installation is easy and requires only an Ethernet connection and internet service.

Overview

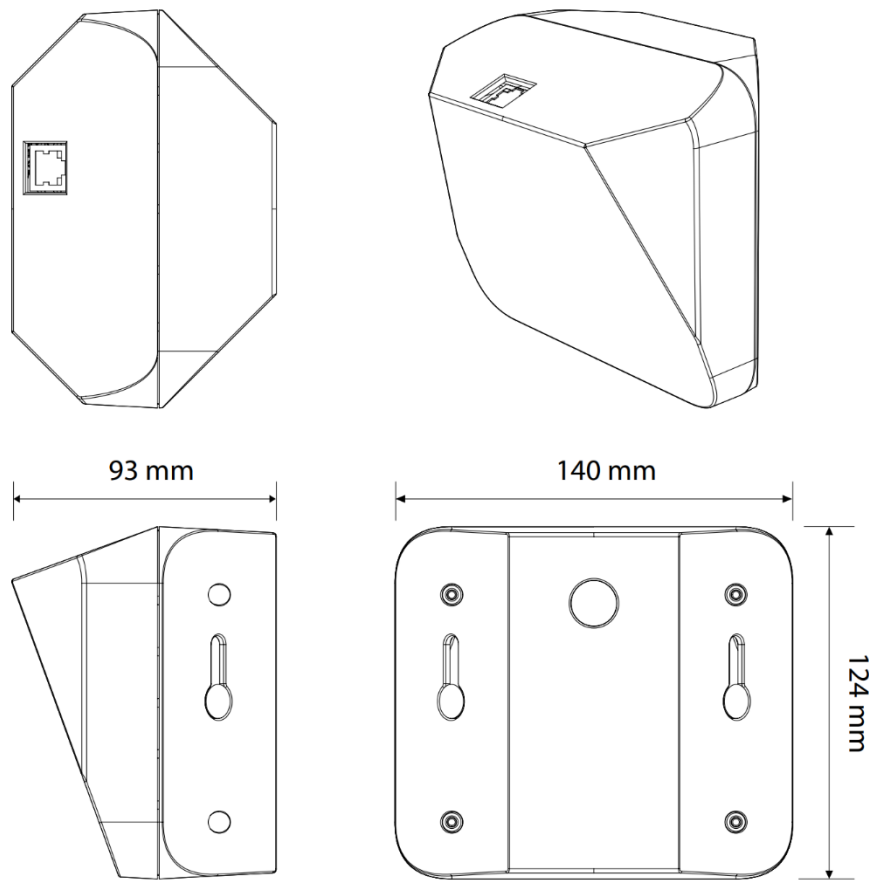
- mmWave radar sensor
- Horizontal field of view: +/- 60°
- Vertical field of view: 45°
- Monitoring range: 4x4 m
- Update frequency: 20 Hz
- Output: MQTT



Technical data

Network		General	
Network protocol	TCP/IP	Casing material	ISOPAK 540
Data encryption	Yes	Color	White
Certificates	Centralized management, signed firmware	PoE	IEEE 802.3at, type 1 PD
Firmware updates	Automatic OTA	Typical	3.9 W, max 12.95 W
Other		Connectors	Shielded RJ45 10BASE-T/100BASE-TX PoE
Weight	250g	Operating conditions	Room temperature
Included accessories	Installation guide, drill hole template	Storage conditions	Room temperature
Languages	Swedish, English	Approvals	EMC EN55032 Class B, CE, MDD
Warranty	3-year warranty		

Dimensions



For additional information about our products and organization, please visit us at www.raytelligence.com.

If you have any questions or ideas for our product that might improve your business, do not hesitate to reach out to us directly at info@raytelligence.com

Raytelligence AB, a Swedish radar company.