

# RADSENZ

RDZ2201CS

## Description

The RDZ2201CS is a radar sensor for demanding industrial applications. It has a high resistance to shock, water and heat. The operating temperature range is -20°C – +65°C. The sensor is IP67 classified.

The device is easy to set up and configure with an internal web interface and provides output through a current loop (4-20mA) to the application.

## Overview

- Working range: 0.3 – 10m.
- Opening angle 6°.
- Operating temperature range -20°C – +65°C.
- Detects objects in specific zone.
- Analog output to external (PLC) systems.
- Suitable for distance measurements of all kinds.
- Level measurements.



## Technical data

### Measurement performance

Measurement Range 0.3 – 10m

Resolution 0.1m

Accuracy 0.0008m

Response Time Detection 39ms

Update Frequency 25Hz

### Interface

2.4GHz Wireless Lan Sensor Configuration, Data Visualization

Analog Output 4-20 mA four wire current loop

### Environment

Storage Temperature Range -40°C - +65°C

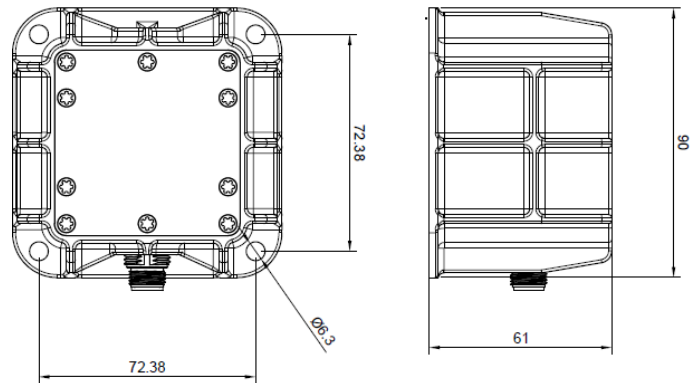
Operation Temperature Range -20°C - +65°C

## Technical data

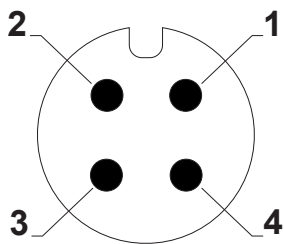
### Mechanical and electrical details

Voltage Supply	DC 10 - 24V
Power Consumption	2.5W
Casing	Plastic
Connection Type	M12 4-pin A-code
Indication	Multicolor LED
Weight	250g
Dimensions	90x90x61mm
Mounting	M6 screws
IP Rating	IP67

### Dimension drawing

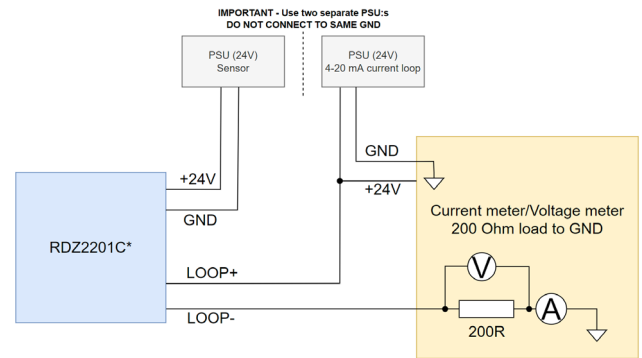


### Connection diagram



1.	Vin
2.	Current Loop-
3.	GND
4.	Current Loop+

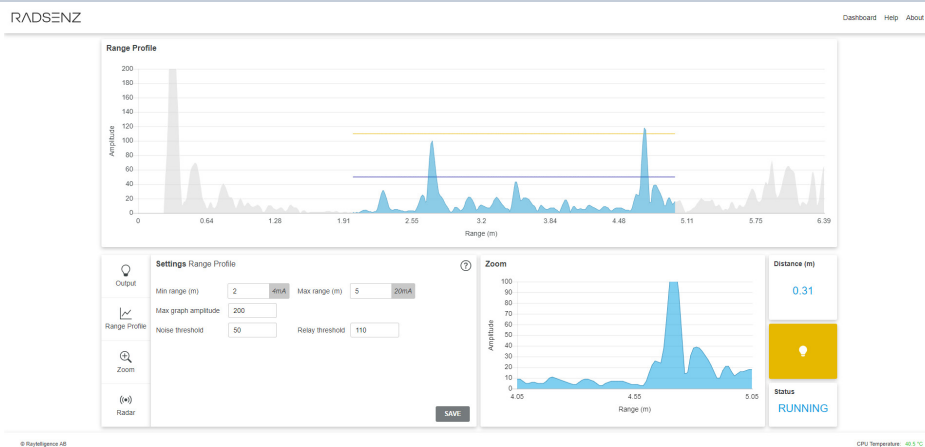
### Wiring diagram



	Max	Typical
$V_{loop+}$	24 V	24 V

**IMPORTANT -**  
Use two separate PSU:s. DO NOT CONNECT TO SAME GND

### Graphical interface



For additional information about our products and organization, please visit us at [www.raytelligence.com](http://www.raytelligence.com)

If you have any questions or ideas for our product that might improve your business, do not hesitate to reach out to us directly at [info@raytelligence.com](mailto:info@raytelligence.com).

Radsenz is part of Raytelligence AB, a Swedish radar company.